

BEIJING HUADE HYDRAULIC INDUSTRIAL GROUP CO.,LTD.	Proportional pressure reducing valve Types DRE and DREM			RC29148/9.2006
	Size 10.25.32	up to 31.5 MPa	up to 300 L/min	Replaces: RC29148/08.2000

**Features:**

- Optional max.pressure protecting
- Optional check valve between A and B
- Valve used for reducing a working pressure
- For subplate mounting
- Valve and electronics from one source



**Function, section**

The valve types DRE and DREM are pilot operated pressure reducing valves. They are used for the reduction of a working pressure.

The valves basically consist of the pilot valve (1) with proportional solenoid (2), main valve (3) with main spool assembly (4), as well as an optional check valve (5).

**Type DRE...**

The setting of the pressure in port A is dependent on the voltage present at the proportional solenoids (2).

At rest, with no pressure in port B the spring holds the main spool (4) in its start position. The connection from B to A is closed. A start-up jump is, therefore avoided.

The pressure in port A acts via connection on the area of the main spool.

The pilot oil is taken from port A(NS 10) or port B(NS 20,30) and passes through the connection to the constant flow controller, which holds the pilot oil flow constant independent of pressure drops between ports A and B. From the constant

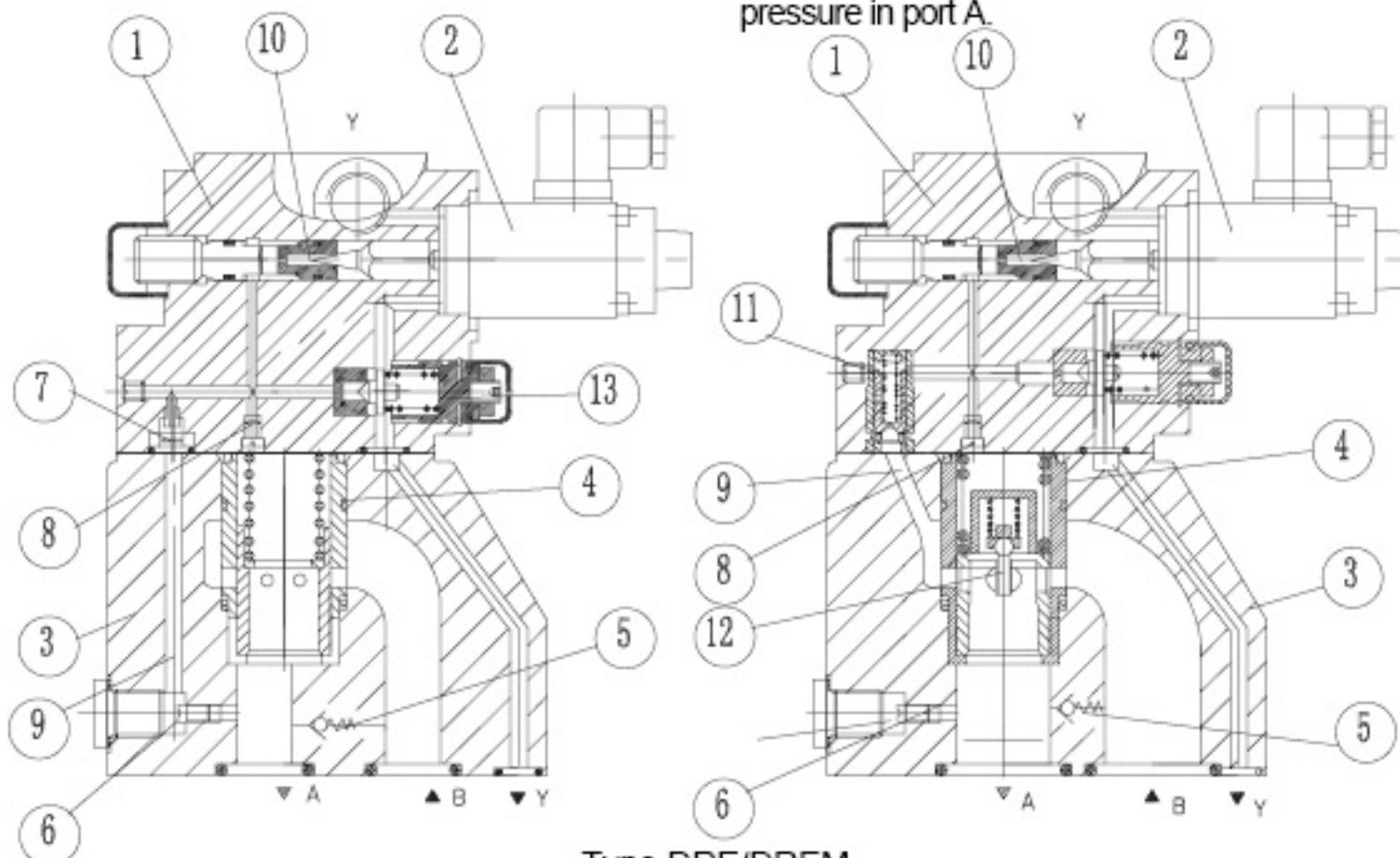
flow controller the pilot oil flow passes into the spring chamber, through two connections, via valve seat into the Y port and from there into the drain line.

The pressure required in port A is defined at the relevant amplifier.

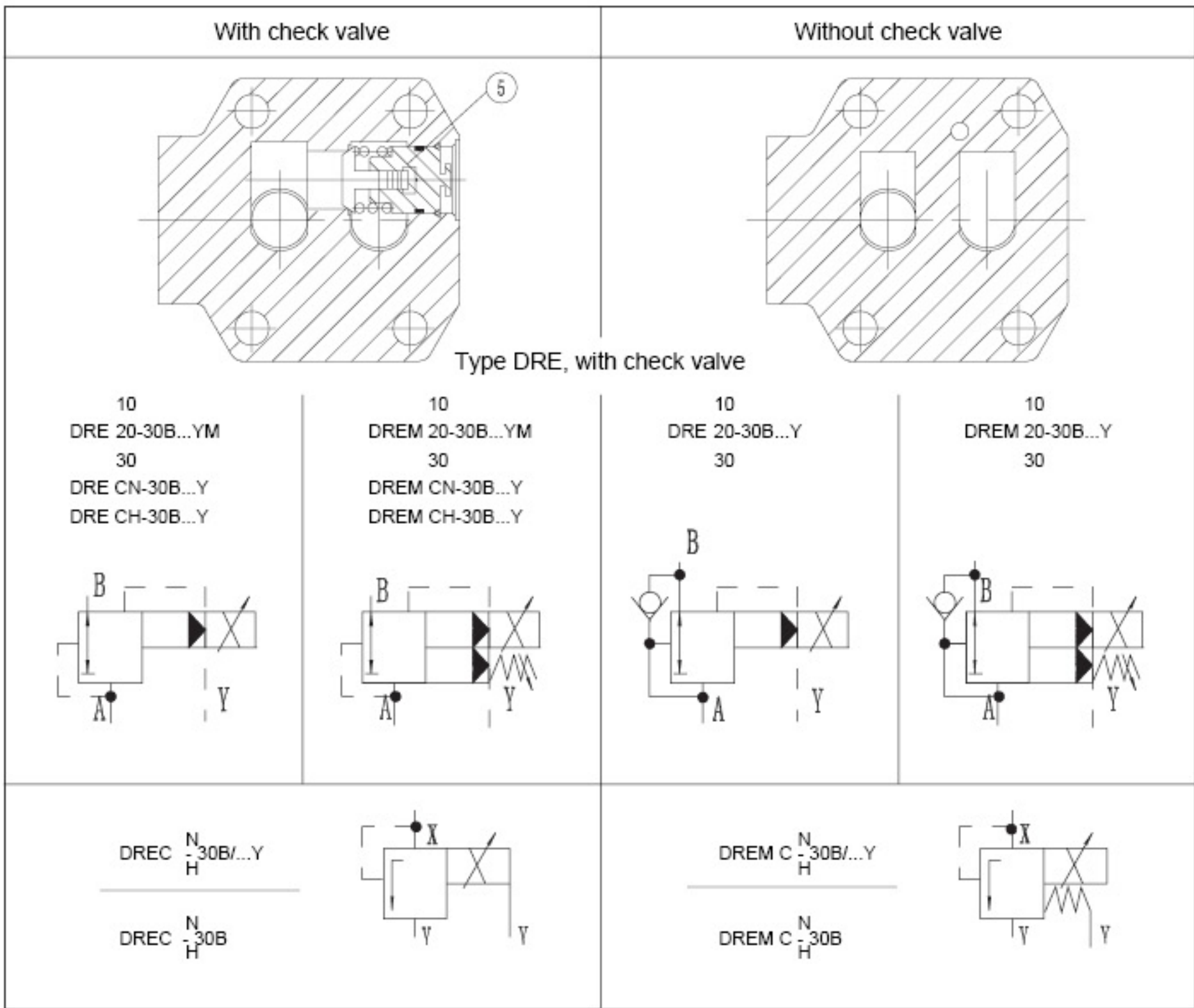
**Type DREM...**

In order to ensure that excessive hydraulic pressures ( hydraulic safety) do not occur due to unpermissibly high control currents at the proportional solenoid that automatically cause higher pressure in port A, a spring loaded maximum pressure relief valve, for maximum pressure safety, can be optionally installed if required.

Note: When the pressure fluid flow from port A to port B via the check valve (5), the parallel flow of oil via Y to tank affects the deceleration process of the actuator attached to port A if this is being decelerated by a throttle valve in port B (e.g. proportional directional valve). Under such circumstances, the third flow direction A to Y is not suitable for limiting the maximum pressure in port A.



Type DRE/DREM



### Ordering details

DRE				+ 30	B /	Y			*	
Without maximum pressure limitation = No code With maximum pressure limitation = M										Further details in clear text
Pilot operated pressure reducing valve = No code Pilot valve, size 10 (do not state valve size) = CN Pilot valve with main valve cartridge for installation in manifolds, size 10 (state valve size) = CN Pilot valve, size 20,30 (do not state valve size) = CH Pilot valve with main valve cartridge for installation in manifolds, size 20,30 (state valve size) = CH										M = for mineral oils V = for phosphate ester
										No code = With check valve between A and B M = Without check valve
										Y = Pilot oil drain external, separate and zero pressure to the tank
10 =10 NS 25 =20 32 =30										Pressure rating: 50= 5MPa 100= 10MPa 200= 20MPa 315= 31.5MPa
Series 30 to 39 =30 (30 to 39: unchanged installation and connection dimensions)										B = Technology of Beijing Huade Hydraulic

## Technical data

### Hydraulic

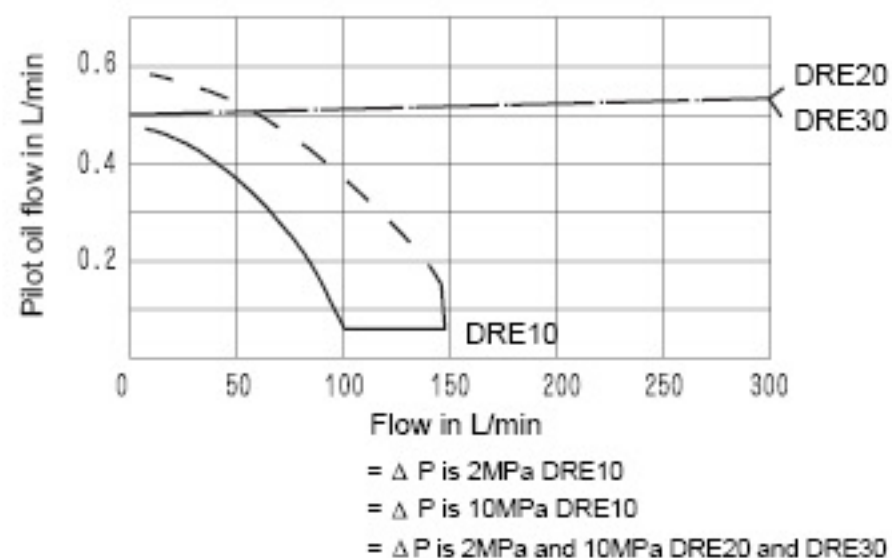
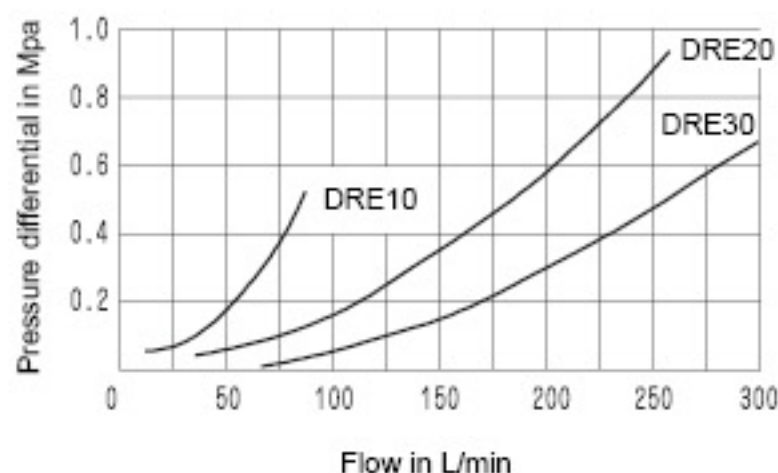
Max.setting pressure (MPa)	ports A and B	31.5		
	port Y	go to tank ,no pressure		
Max.setting pressure,for port A (MPa)		The same as pressure rating		
Min.setting pressure,for port A (MPa)		Be related to "Q". (see curves)		
Max.pressure limiter (steplessly settable)				
Setting pressure range set as delivered (MPa)	pressure rating			
	5	10	20	31.5
	1 to 6 <sup>+2</sup>	1 to 12 <sup>+2</sup>	1 to 22 <sup>+2</sup>	1 to 34 <sup>+2</sup>
Max.pressure limiter (assembly settable) (MPa)	6 to 8	12 to 14	22 to 24	34 to 36
Max. flow (L/min)	size	10	20	30
	flow	80	200	300
Pilot oil		See characteristic curves		
Linearity (%)		± 3.5		
Repeatability (%)		< ± 2		
Hysteresis		With quiver ± 2.5%Pmax,without quiver ± 4.5%Pmax		
Typical scatter		± 2.5Pmax	See characteristic curves	
Operating time (ms)		100 to 300		
Fluids		Mineral oil(for NBR seal),Phosphate ester (for FPM seal)		
Viscosity range (mm <sup>2</sup> /s)		2.8 to 380		
Fluid temperature range (°C)		-20 to +70		
Degree of the contamination (μ m)		≤ 20(recommend 10)		

### Electrical

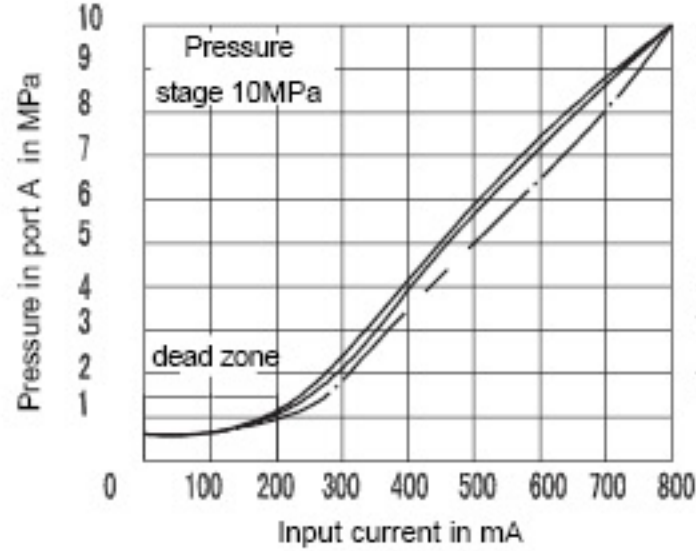
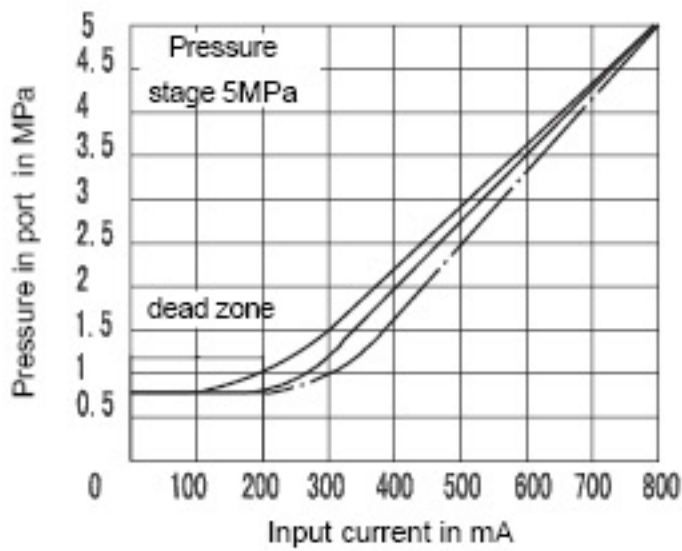
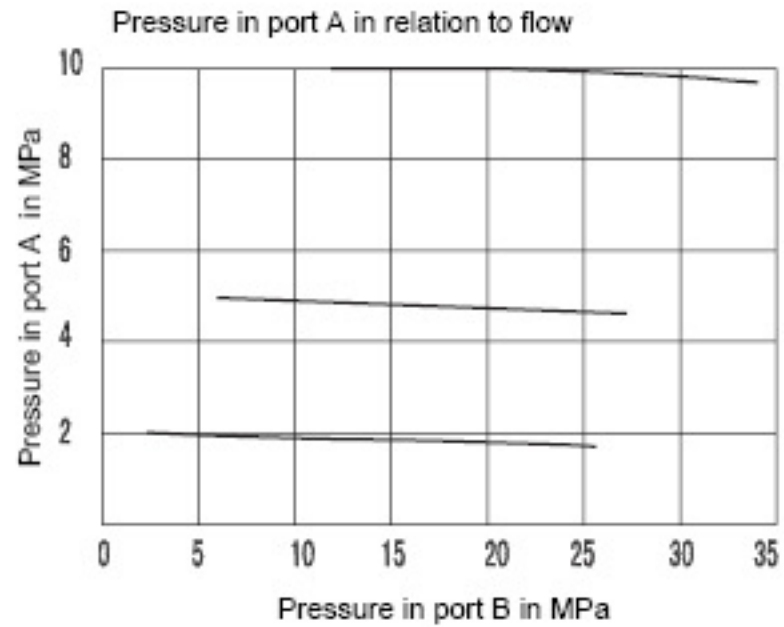
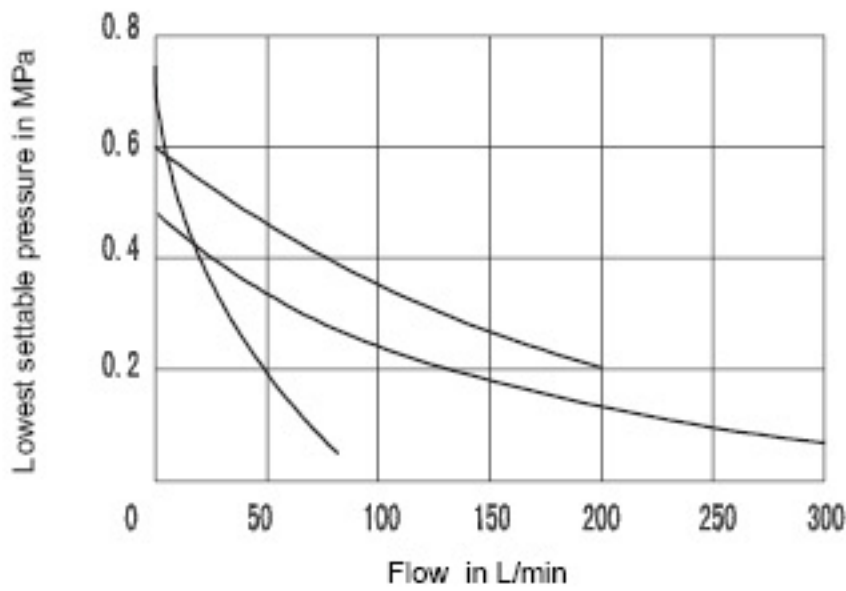
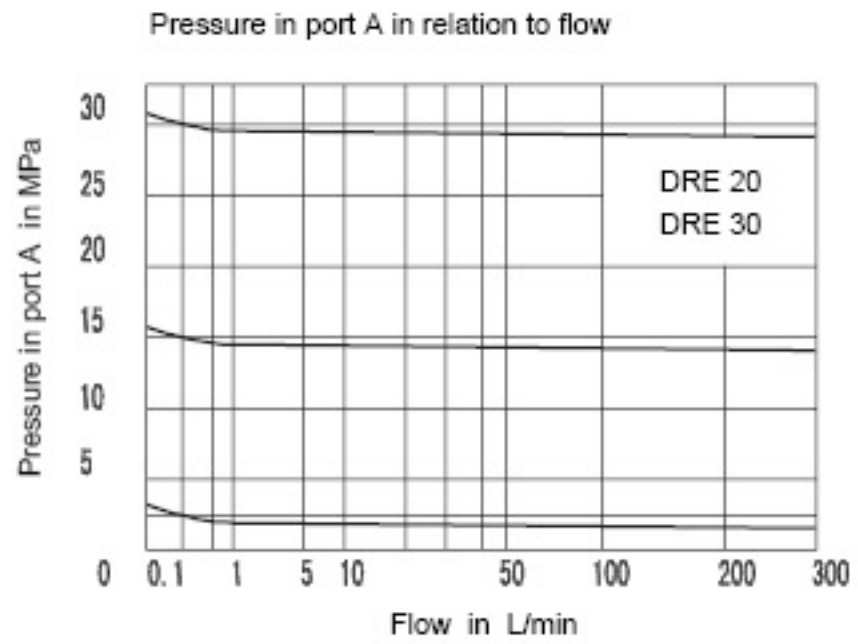
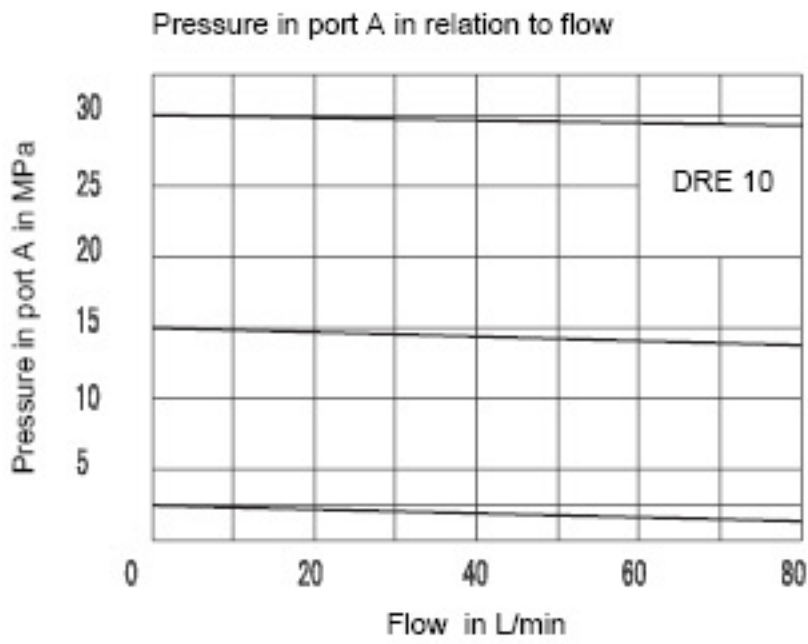
Supply voltage		DC
Min.control current (A)		0.1
Max.control current (A)		0.8
Coil resistance (Ω)		cold valve at 20°C is 19.5,Max.warm valve is 28.8
Duty		continuous
Max. condition temperature (°C)		+50
Insulation to DIN 40 050		IP65
Associated amplifier		Plug-in connector
Electrical applifier		VT-2000 <sup>5</sup> 40(together provide)

### Characteristic curves (measured at V = 41 mm<sup>2</sup>/s and t= 50°C )

Pressure difference from A to B, via check valve

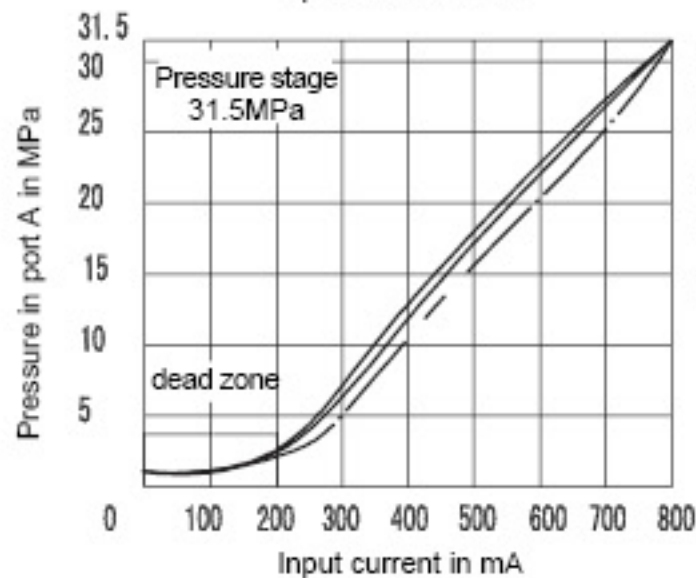
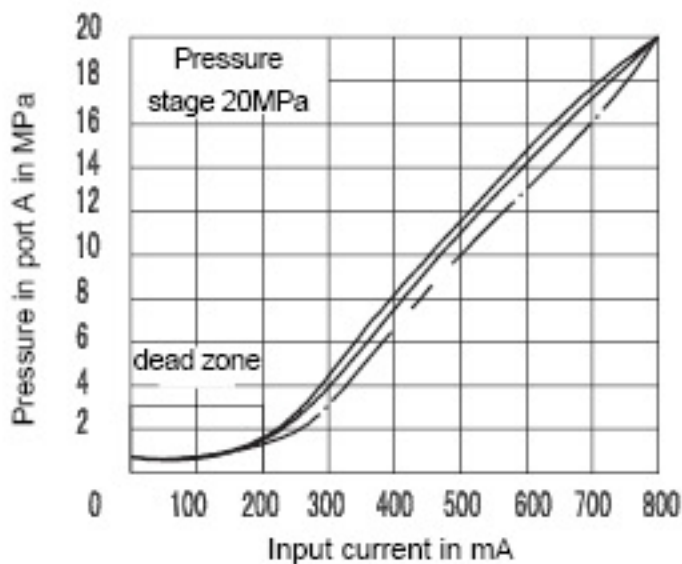


**Characteristic curves (measured at  $V = 41 \text{ mm}^2/\text{s}$  and  $t = 50^\circ\text{C}$ )**



DRE10.20 and 30, measured in flow 6L/min.

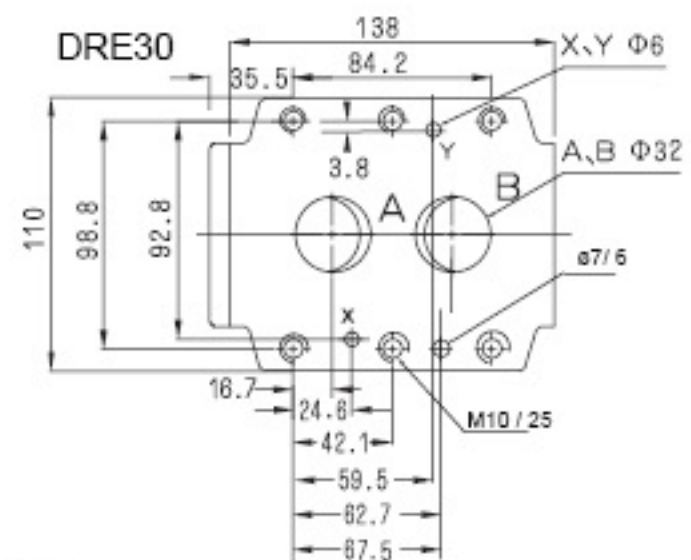
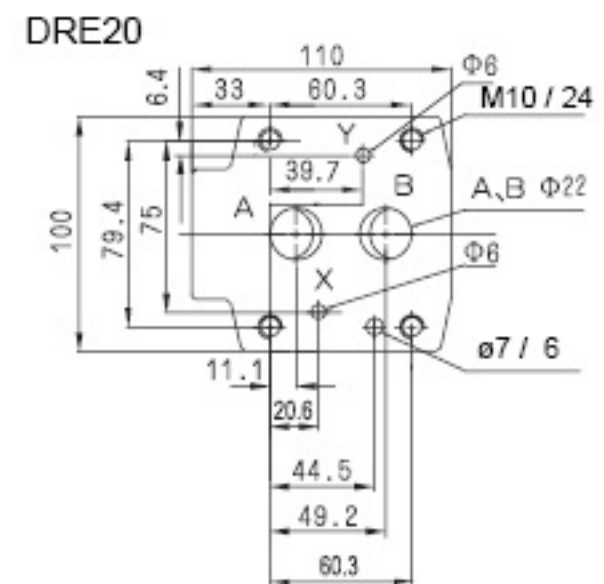
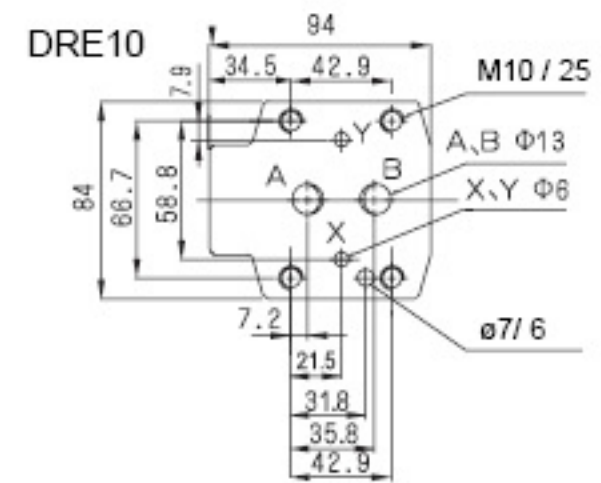
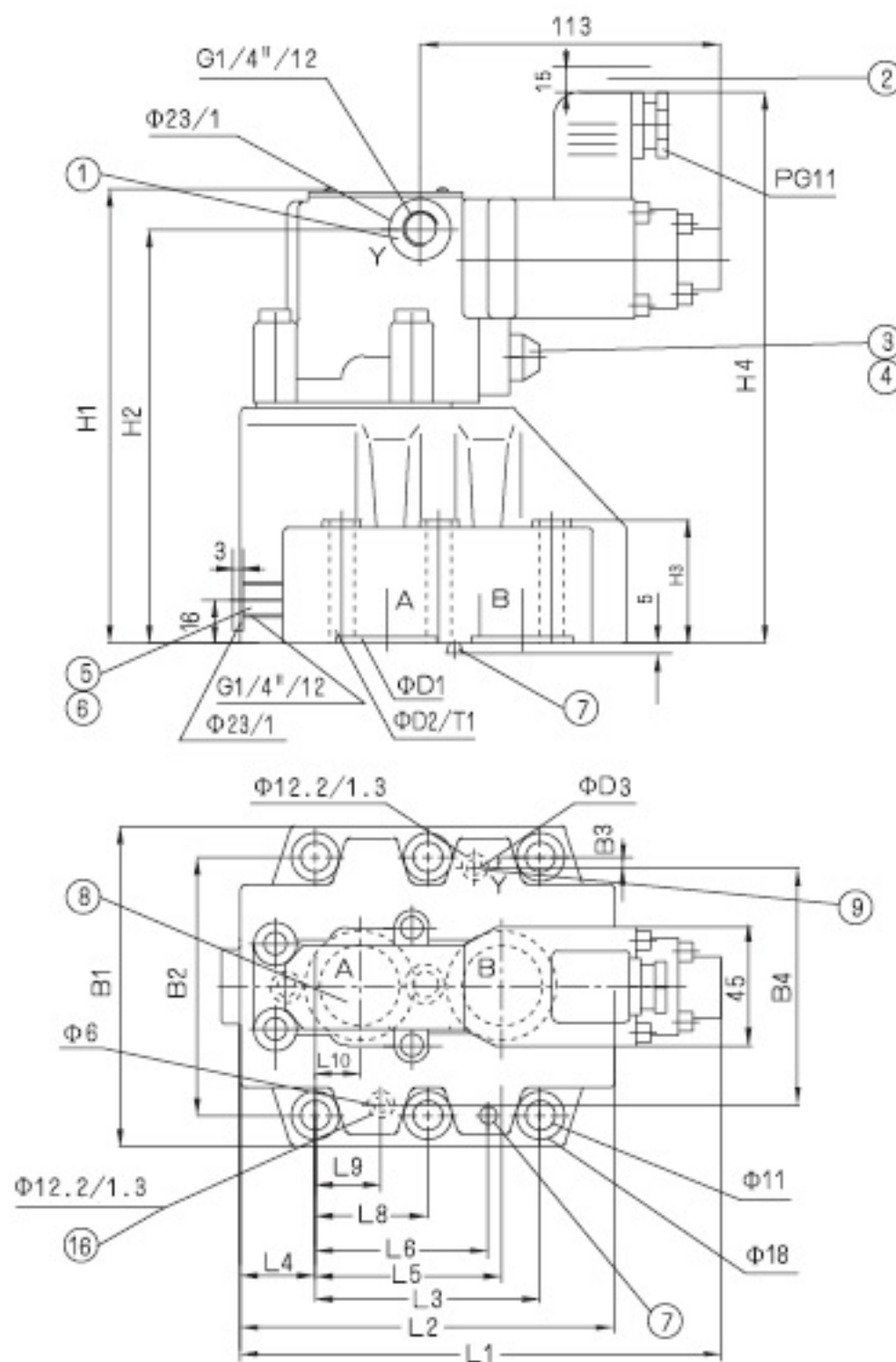
hysteresis:  
with quiver ———  
without quiver - - - -



Note:  
In order to achieve the minimum settable pressure the bias current must not exceed 100 mA

**Unit dimensions**

**(Dimensions in mm)**



- 1 As supplied, this port (G 1/4") is plugged. After removing the plug, this port may be used as an external pilot oil drain, separate and at zero pressure to tank.
- 2 Space required to remove plug-in connector
- 3 Maximum pressure limitation, type DREM
- 4 when using these valves, please take note of the guidelines
- 5 Port X for external control DRE10
- 6 Pressure gauge connector for DRE20 and DRE30
- 7 Locating pin
- 8 Name plate
- 9 Pilot oil drain external at zero pressure to tank
- 10 Blind hole

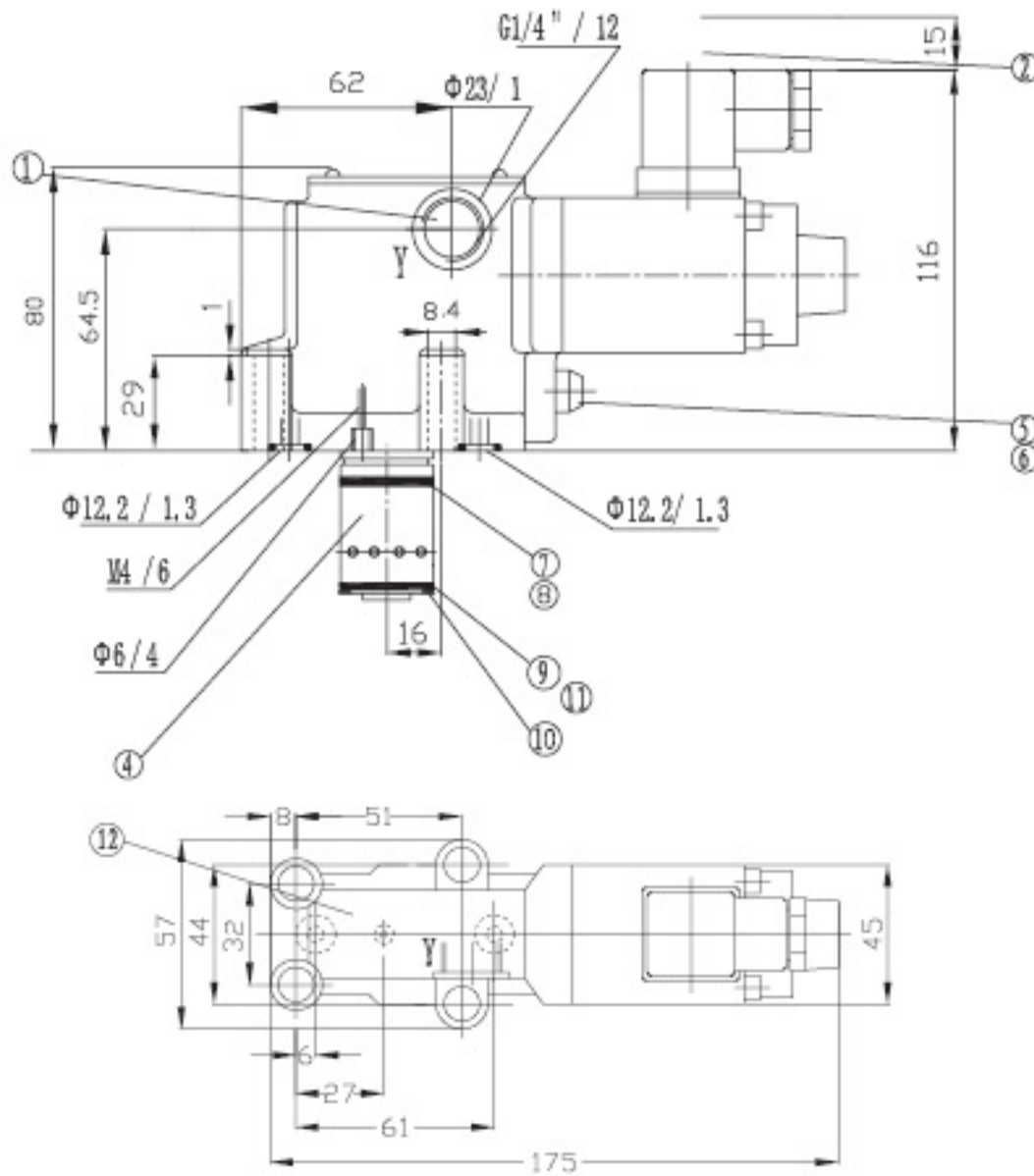
NS	O-ring (A, B)	O-ring (X, Y)	B1	B2	B3	B4	D1	D2	D3
10	17.12 × 2.62	9.25 × 1.78	85	66.7	7.9	58.8	15	21.8	4.2
25	28.17 × 3.53	9.25 × 1.78	102	79.4	6.4	73	25	34.8	6
32	34.52 × 3.53	9.25 × 1.78	120	96.8	3.8	92.8	31	41	6

Subplates  
 G 460/01; G461/01  
 G 412/01; G413/01  
 G 414/01; G415/01  
 See page 88

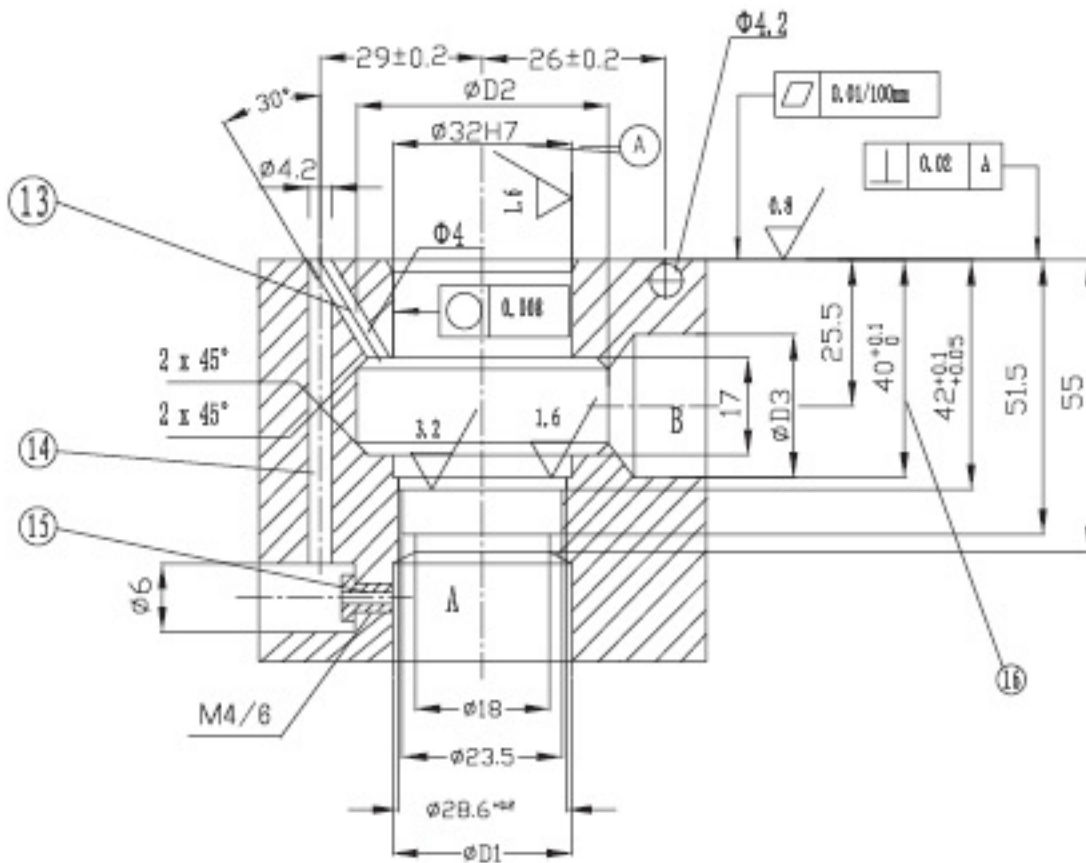
size	H1	H2	H3	H4	L1	L2	L3	L4	L5	L6	L7	L8	L9	L10	T1	Weight
10	152	136.5	28	188	181	96	42.9	35.5	35.8	31.8	21.5	-	21.5	7.2	2	4.5kg
25	162	146.5	38	198	177	112	60.3	33.5	49.2	44.5	39.7	-	20.6	11.1	2.9	6.3kg
32	170	154.5	46	206	176.5	140	84.2	28	67.5	62.7	59.5	42.1	24.6	16.7	2.9	8.6kg

Unit dimensions

(Dimensions in mm)



- 1 Pilot oil drain external at zero pressure to tank
- 2 Space required to remove plug-in connector
- 3 O-ring 9.25X1.78
- 4 Main spool core assembly
- 5 Maximum pressure limitation, type DREM
- 6 When using these valves, please take note of the guidelines
- 7 O-ring 9.25X1.78
- 8 O-ring 27.3X2.4
- 9 O-ring 27.3X2.4
- 10 Retainer ring 32/28.4x0.8(FPM)
- 11 O-ring with retainer ring must be input the hole before assemble the main spool core
- 12 Name plate
- 13 Pilot oil
- 15 Orifice hole
- 16 Assort depth



NS	D1	D2	D3	Code no. for main spool core assembly		Fixing screws	Torque(Nm)	Weight
				NBR	FPM			
10	10	40	10	360 727	360 728	4-M8 × 10-10.9 GB/T70.1-2000	20	1.5kg
25	20	45	20	360 729	306 730			
32	30	45	30					